

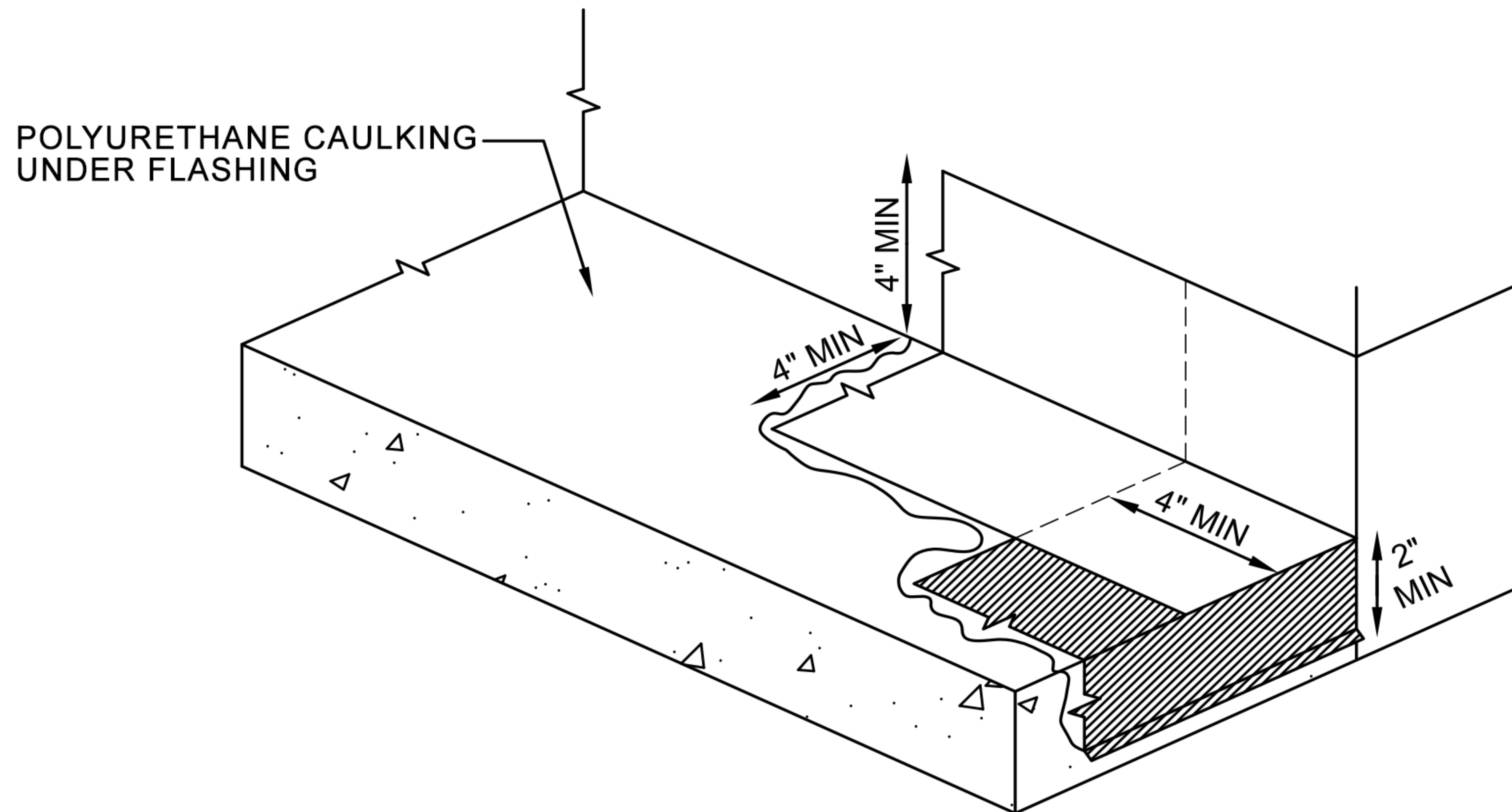
MULTICOAT OUTSIDE CORNER FLASHING DECK TERMINATION DETAIL (OVER CONCRETE)

NOT TO SCALE

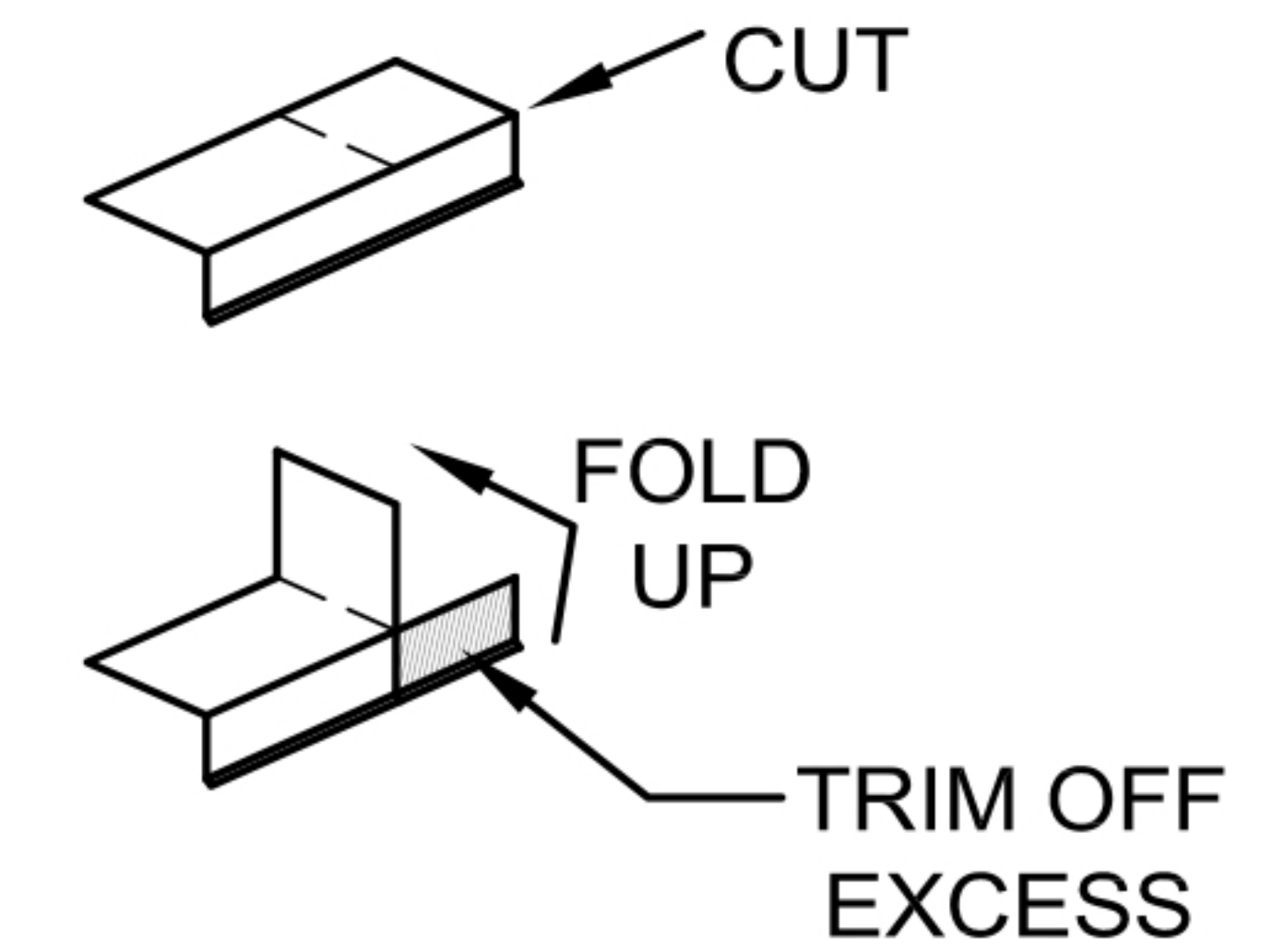
* NOTE: For installation instructions please refer to the system specification sheets posted on our website. .

NOTES:

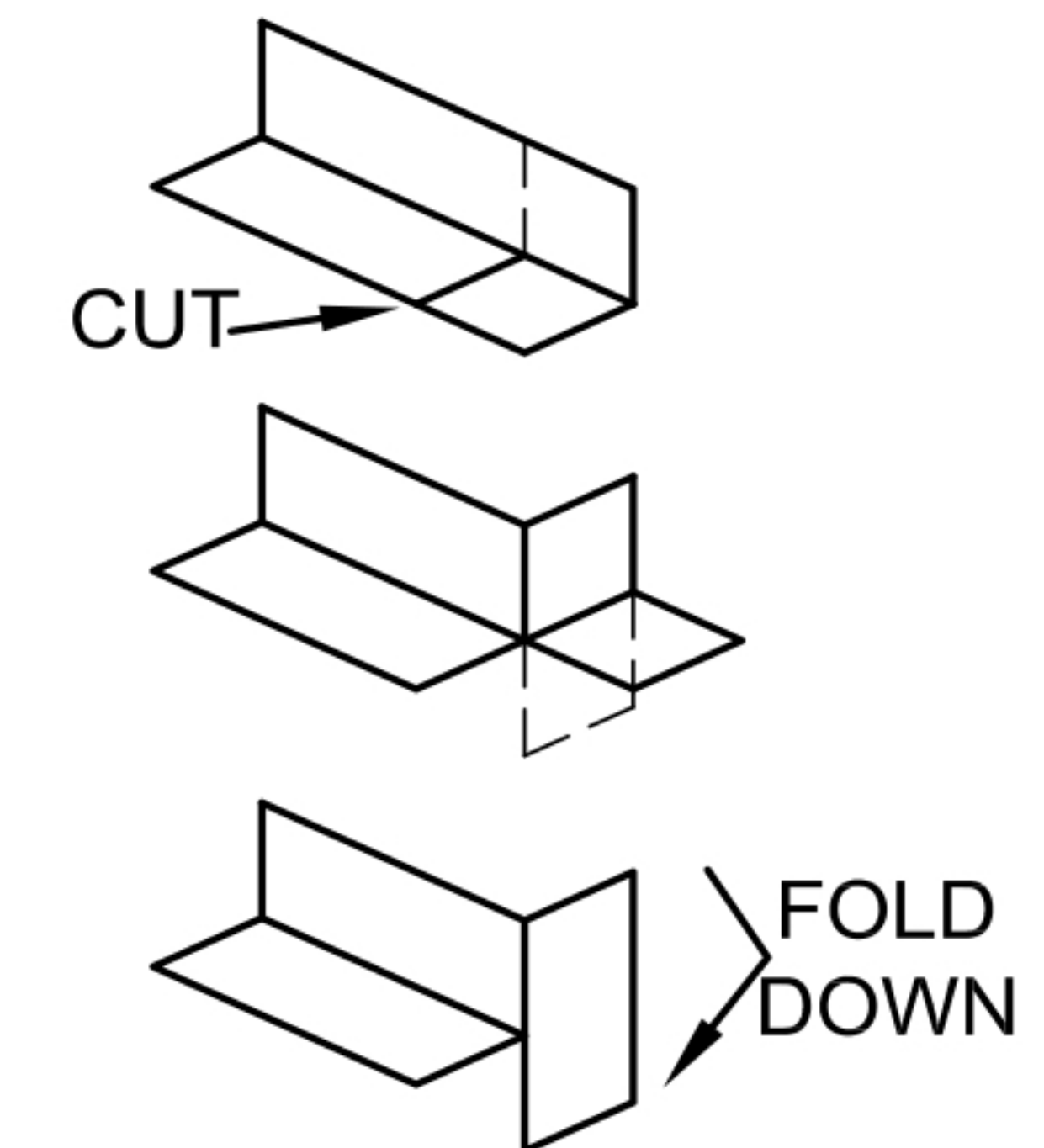
- APPLY POLYURETHANE CAULKING ON ALL FLASHING SEAMS AND OVERLAPS. STANDARD OVERLAP IS BOTTOM TO TOP WITH A 4" OVERLAP.
- 2500 PSI MINIMUM FOR CONCRETE SUBSTRATES
- $\frac{5}{8}$ " EXTERIOR GRADE MINIMUM FOR PLYWOOD SUBSTRATE
- $\frac{1}{4}$ " MINIMUM SLOPE REQUIRED ON ALL DECKS
- REFER TO LOCAL BUILDING CODES & STANDARDS



FIRST PIECE



SECOND PIECE



23331 ANTONIO PARKWAY
RANCHO SANTA MARGARITA CA 92679



WWW.MULTICOAT.COM
(877)-685-8426